

# INTELLIGENT ANNULAR TORQUE TRANSDUCER

## DESCRIPTION

The AWS Intelligent Annular Torque Transducer range (IATT), is designed to accurately measure torque values, in a variety of industries. They function either as a reaction torque transducer taking the reaction torque through the transducer, or with additional drive plates, attached to the flanges, to convert them to direct drive inline transducers.

With optimised torque ranges, the transducer contains our Intelligent Instrumentation Package, outputting using CAN-BUS protocol to communicate with the AWS Professional Transducer Display (PTD). This digital communication eliminates signal loss when using long lengths of cable, providing flexibility in communicating with other devices and systems.

## SPECIFICATIONS

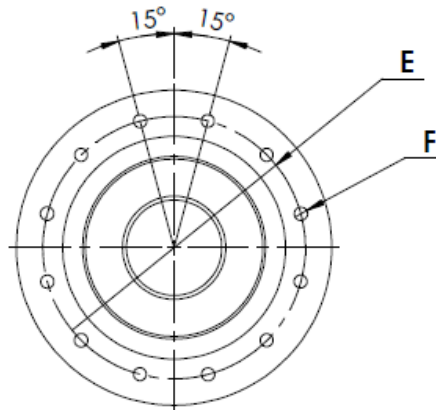
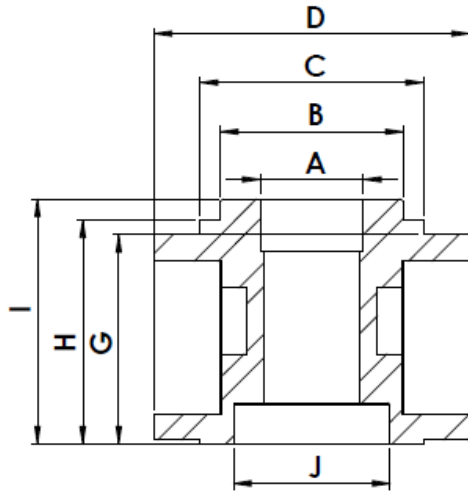
Model: IATT-	1038	1039	1031	1032	1033	1034	1035	1046	1036	1037
Ranges (kNm):	2	3	5	10	20	50	100	120	200	300

Accuracy:	Better than 0.1% of reading from 10 to 100% of rated output. See calibration certificate for full results.
Modes:	<b>Run:</b> For Dial-type and Electronic Wrenches and Screwdrivers. <b>Peak:</b> For Cam-type Wrenches and Screwdrivers. <b>1st Peak:</b> For Click-type Wrenches and Screwdrivers, retains reading until manually cancelled or for 3 seconds if auto cancel option is chosen.
Communications:	Communications via CAN-BUS. (When used with the AWS PTD that converts and displays the signals, showing mode selected, transducer details and output in RS232 serial form).
Power and Display:	Requires only a single D.C. power supply (when used with AWS PTD, power and display is provided).
Overload capability:	125%
Maximum mechanical overload:	160% of range stated.
Operating Temperature:	-10°C to +50°C.
Temperature coefficient:	On Zero: 0.01% per °C On Span: 0.03% per °C
Connector:	MIL C 26482 series. 6 pin. Shell size 10.
CE:	2014/30/EU
EMC:	BS EN 61326-1:2013

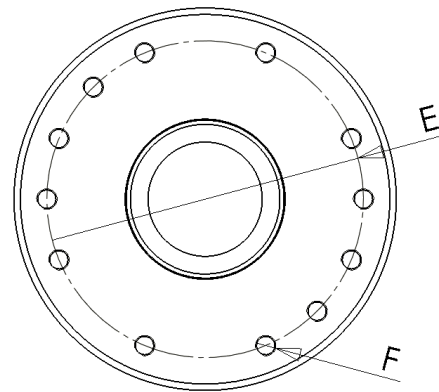
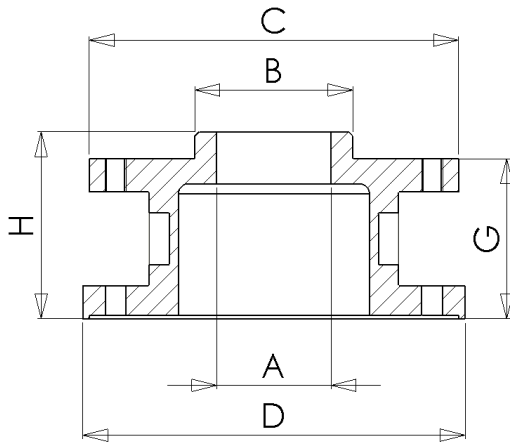


## DIMENSIONS

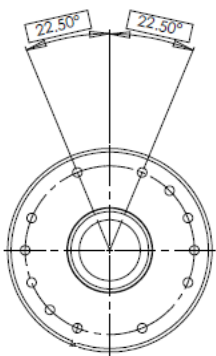
Dim (mm)	1038/1039	1031	1032	1033	1034	1035	1046	1036	1037
A	39	55	55	70	125	125	125	205	205
B	69	76	76	95	219.92	219.92	219.92	239.92	239.92
C	84.1	177.8	177.8	212	315	315	315	520	520
D	119	184	184	212	315	315	315	520	520
E	99.06	152.4	152.4	195	290	290	290	492	492
F	M5X0.8	M10X1.5	M10X1.5	M10X1.5	M16X2.0	M16X2.0	M16X2.0	M16X2.0	M16X2.0
G	79	77	77	97	126	126	126	130	130
H	84.5	90	90	76	110	110	110	146	146
I	92.5	-	-	-	-	-	-	-	-
J	59	-	-	-	-	-	-	-	-
No. Bolts	24	24	24	24	40	40	40	68	68



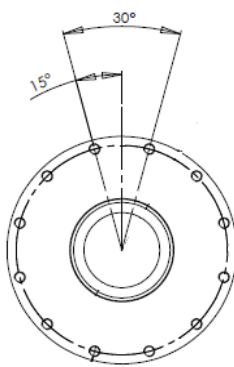
**1038 AND 1039**



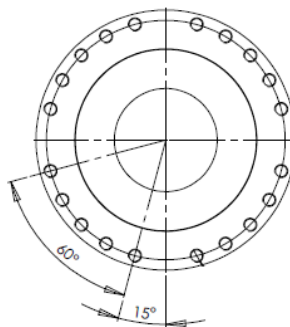
**1031 AND ABOVE**



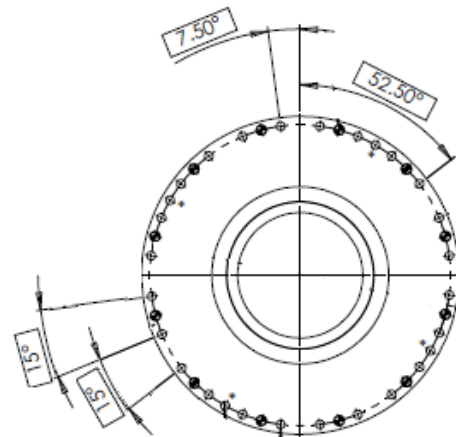
**1031 & 1032**



**1033**



**1034, 1035 & 1046**



**1036 & 1037**

Advanced Witness Systems Ltd © 2025

**MANUFACTURER INFORMATION**

Advanced Witness Systems Ltd  
 Unit 8  
 Beaumont Business Centre  
 Beaumont Close  
 Banbury  
 OX16 1TN  
 Tel: +44 (0)1295 266939  
 Email: sales@awstorque.co.uk

**SUPPLIER INFORMATION**